



*For an
unobstructed view*

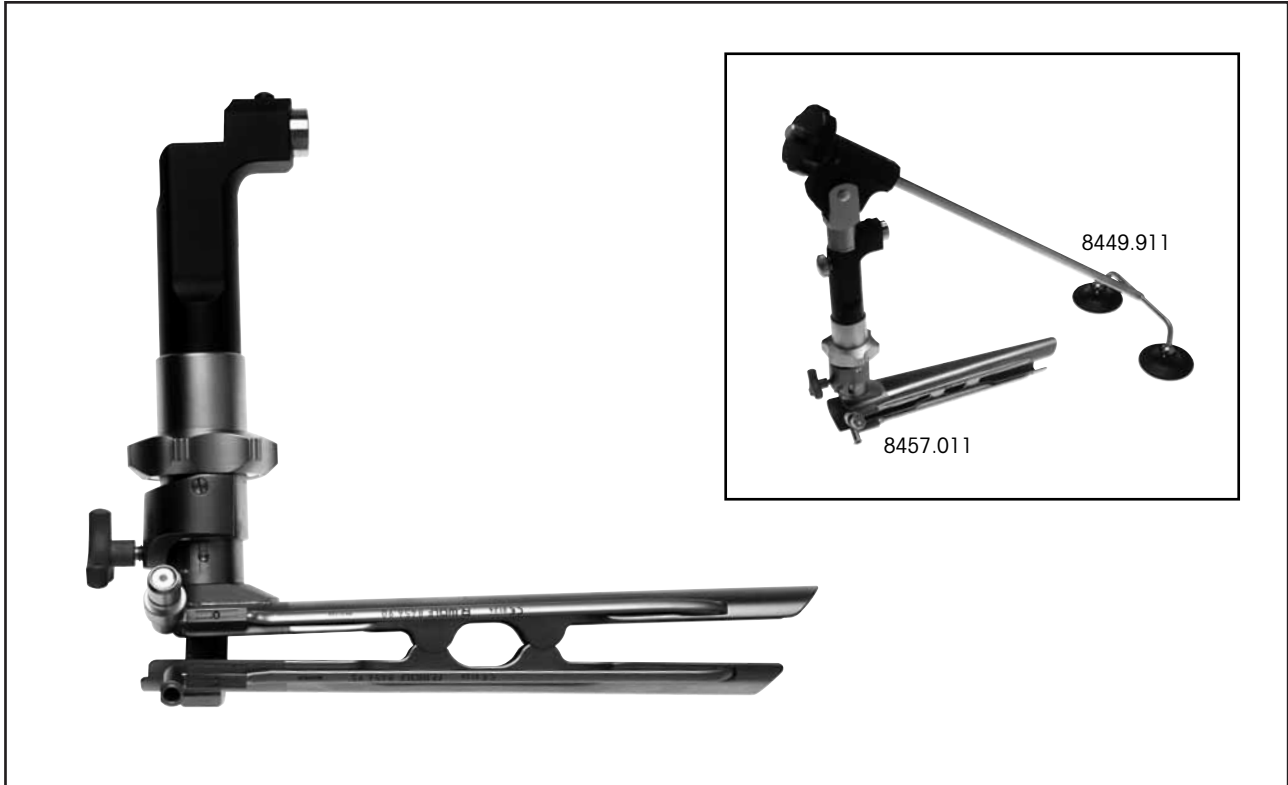
Adjustable Laryngoscope

by Pototschnig

Optimum view in all situations • No obstruction caused by soft tissue • Conventional and laser applications possible

Adjustable Laryngoscope

by Pototschnig*



The new adjustable laryngoscope by Pototschnig* can be used universally and generally replaces two standard tubes. Its straight-forward, uncomplicated design simplifies the activities of both the operator and the other OR staff.

The new retraction system with lateral toothing prevents soft tissue, such as the tongue, or ventilation tubes entering the lumen of the laryngoscope or becoming trapped. As a result the operator always has an ideal view regardless of the position or technique used.

Adjustable laryngoscope by Pototschnig,
including light rod (8456.90)
and insufflation and
suction tube (8456.95)8457.011

New

Chest support »Wolf«,
autoclavable8449.911

As an alternative, the laryngoscope can also be used with a suspended support.



* Univ. Doz. Dr. med. Pototschnig
Innsbruck - Austria

RICHARD WOLF GmbH · 75434 Knittlingen · PF 1164 · Phone +49 70 43 35-0 · Fax +49 70 43 3 53 00 · GERMANY · info@richard-wolf.com · www.richard-wolf.com

AUSTRIA:
RICHARD WOLF Austria
Ges.m.b.H.
Wilhelminenstraße 93 a
A-1160 Wien
Tel.: 01-405 62 19
Fax: 01-405 51 51 45
info@richard-wolf.at

BELGIUM:
N.V. Endoscopie
RICHARD WOLF Belgium S.A.
Industriezone Drogen, Landegemstraat 6
B-9031 Gent-Drogen
Tel.: 09.280.81.00
Fax: 09.282.92.16
endoscopy@richard-wolf.be

FRANCE:
RICHARD WOLF France S.A.R.L.
Rue Daniel Berger
Z.A.C. La Neuvilleffe
F-51100 Reims
Tél.: 03.26.87.02.89
Fax: 03.26.87.60.33
endoscopes@richardwolf.fr

UK:
RICHARD WOLF UK Ltd
Waterside Way
Wimbledon
SW17 0HB
Tel.: 020 8944 7447
Fax: 020 8944 1311
admin@richardwolf.uk.com

USA:
RICHARD WOLF
Medical Instruments Corp.
353 Corporate Woods Parkway
Vernon Hills, Illinois 60061
Tel.: 847-913 1113
Fax: 847-913 1488
sales&marketing@richardwolfusa.com